

230_{VAC}

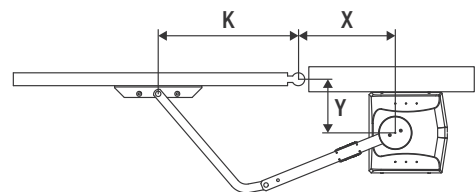
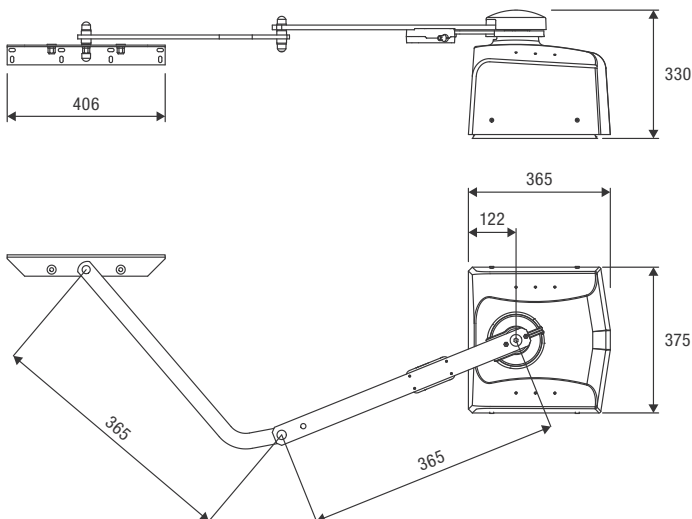
DU.350FX

**CONTROL UNITS:**

DU.350FX

BRAINY
HEADY**ARTICULATED ARM**oil submerged gear
full metal mechanics**up to 4.0 m****230 Vac** | intensive use

- Irreversible electromechanical gear motor for gates of considerable sizes
- Equipped with galvanised steel articulated arm and lever release system
- Ideal for installation in existing systems where it is not possible to attach the automation to the column
- Adjustable cam limit switches in opening and closing
- Fixing plate with visible holes also accessible when the motor is installed

Arm not included

X (mm)	Y (mm)	K (mm)	Opening degrees	Opening time
180	300	950	90°	17"
180	590	850	90°	20"
450	450	650	110°	16"
450	250	700	120°	20"

**DU.FXE**

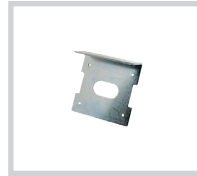
Galvanized articulated anti-shearing arm with lever release system.

**DU.V96**

12 Vac/dc vertical electric lock, supplied with counterplate. Permits internal/external release.

**DU.V90**

12 Vac/dc horizontal electric lock, supplied with counterplate. Permits internal/external release.

**DU.9990**

Covering plate for DU.V90.

**E.LOCK**

230 Vac vertical electric lock, supplied with counterplate.

**E.LOCKSE**

Extended cylinder for E.LOCK electric lock. It allows unlocking gates up to 55mm-thick from the outside.

**DA.LB**

Galvanized column for outdoor installation of LB box.

AUTOMATISMI BENINCÀ SpA • Via del Capitello, 45 • 36066 Sandrigo (VI) ITALY • T +39 0444 751030 • sales@beninca.com

TECHNICAL DATA	DU.350FX
Motor supply	230 Vac (50-60Hz)
Max absorbed current	1.4 A
Torque	270 Nm
Opening time	16" ÷ 20"
Duty cycle	intensive use
Protection level	IP67
Lubrication	OIL
Operating temperature	-20°C /+50°C
Leaf max dimension	4.0 m
Weight	26.1 kg
Items no. per pallet	12