



TOM40M TOM4024E



CONTROL UNITS:

TOM40M — BRAINY HEADY

TOM4024E — BRAINY24^{PLUS}
BRAINY24
TRUST24

LINEAR TELESCOPIC OPERATOR

- adjustable mechanical stops in opening and closing
- patented FACE gears
- bronze release wheel
- personalised release key

up to 4.0 m



Reliable and innovative gear motor, thanks to the 2 adjustable mechanical stops in opening and closing accessible from above and positioned under the metal cover of the shaft. Available in 230 Vac and 24 Vdc versions. Ideal for the automation of any type of swing gate thanks also to the compact footprints (only 96 mm width) and screw-in brackets. The 45° inclination of the wiring cable allows the distance from the ground to be reduced to a minimum. The rear and front brackets, aligned on the same axis, enable the better distribution of loads by optimizing the lifespan of the actuator. The worm screw protected by wiper ring and stainless steel shaft make it suitable for dusty or sandy environments, or places with aggressive weather conditions.

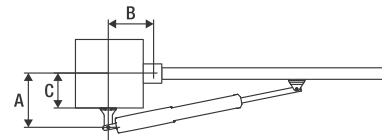
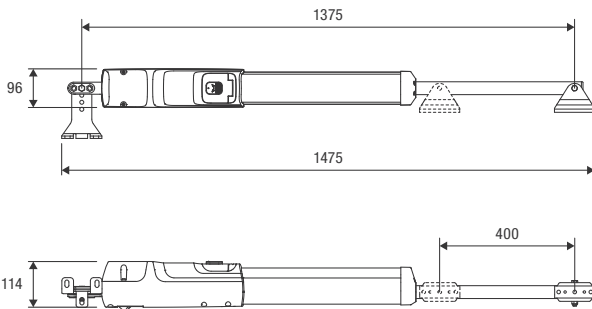
230 Vac

- Irreversible 230 Vac electromechanical gear motor
- Equipped with easily adjustable limit switches in opening and closing and accessible from above

24 Vdc | intensive use

- Irreversible 24 Vdc electromechanical gear motor for intensive use equipped with encoder
- The TRUST24 control unit ensures power consumption in standby mode of < 0.8 W
- The encoder guarantees maximum safety and precision while the gate is moving
- Amperometric sensor obstacle detection system to prevent crushing
- Possibility of battery operation

www.beninca.com



A (mm)	B (mm)	C (mm)
100-272,5	110-200	25-200

BENINCA

COMPLETE KITS	MOTORS	CONTROL UNIT	PHOTOCELLS	FLASHING LIGHT	TRANSMITTER
KTOM40M	2x TOM40M	1x HEADY	1x PUPILLA.T	1x LAMPY	1x TO.GO2VA
KTOM4024E	2x TOM4024E	1x TRUST24	1x PUPILLA.T	1x LAMPY	1x TO.GO2VA

**TOM.SR**

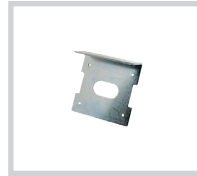
Rear adjustable screw-in bracket.

**DU.V96**

12 Vac/dc vertical electric lock, supplied with counterplate. Permits internal/external release.

**DU.V90**

12 Vac/dc horizontal electric lock, supplied with counterplate. Permits internal/external release.

**DU.9990**

Covering plate for DU.V90.

**E.LOCK**

230 Vac vertical electric lock, supplied with counterplate.

**E.LOCKSE**

Extended cylinder for E.LOCK electric lock. It allows unlocking gates up to 55mm-thick from the outside.

**CABLE.24E**

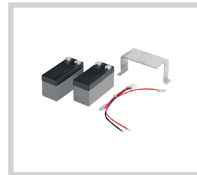
Cable reel with 5 conductors (2 for motor, 3 for encoder) for connecting the encoder device in the 24 Vdc versions. L= 100 m.

**XLB.CB**

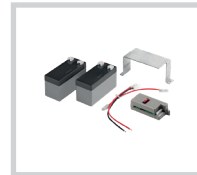
Battery box fitted with universal bracket and cables. IP54.

**DA.LB**

Galvanized column for outdoor installation of LB box.

**BRAINY24.CB-SW**

Accessory equipped with 1.2 Ah batteries and support bracket.

**BRAINY24.CB**

Accessory with CBY.24V battery charger, 1.2 Ah batteries and support bracket.

AUTOMATISMI BENINCÀ SpA • Via del Capitello, 45 • 36066 Sandrigo (VI) ITALY • T +39 0444 751030 • sales@beninca.com

TECHNICAL DATA	TOM40M	TOM4024E*
Motor supply	230 Vac (50-60Hz)	24 Vdc
Max absorbed current	1.3 A	5.5 A
Max Thrust	2000 N	1500 N
Opening time	24"	15"
Duty cycle	30%	intensive use
Max stroke	400 mm	400 mm
Protection level	IP44	IP44
Mechanical stops	YES	YES
Limit switches	YES	NO
Encoder	NO	YES
Operating temperature	-20°C /+50°C	-20°C /+50°C
Leaf max dimension	4 m	4 m
Weight	10.3 kg	8.9 kg
Items no. per pallet	49	49
Kit weight	22.7 kg	19.8 kg
Kits no. per pallet	10	10

* Available in 115 VAC version