



230VAC

24VDC



# TOM40MLT TOM4024LT

## LINEAR TELESCOPIC OPERATOR

patented FACE gears  
bronze release wheel

up to 4.0 m



### CONTROL UNITS:

TOM40MLT — BRAINY HEADY

TOM4024LT — BRAINY24<sup>PLUS</sup>  
BRAINY24  
TRUST24



## 230 Vac

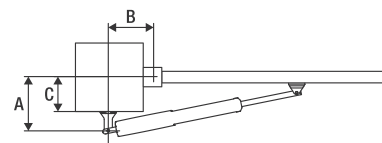
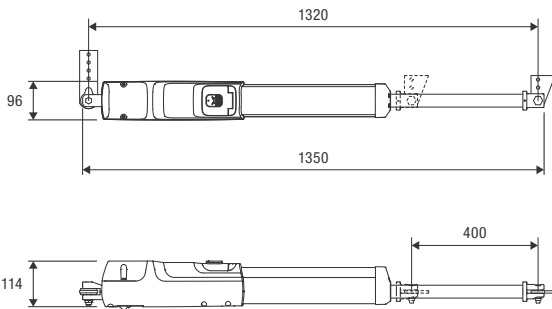
- Irreversible 230 Vac electromechanical gear motor

## 24 Vdc | intensive use

- Irreversible 24 Vdc electromechanical gear motor for intensive use
- The TRUST24 control unit ensures power consumption in standby mode of < 0.8 W
- Amperometric sensor obstacle detection system to prevent crushing
- Possibility of battery operation

Gear motor available in 230 Vac and 24 Vdc versions. Ideal for the automation of any type of swing gate thanks also to the compact footprints (only 96 mm width) and fixing brackets to weld. The 45° inclination of the wiring cable allows the distance from the ground to be reduced to a minimum. The rear and front brackets, aligned on the same axis, enable the better distribution of loads by optimizing the lifespan of the actuator. The worm screw protected by wiper ring and stainless steel shaft make it suitable for dusty or sandy environments, or places with aggressive weather conditions.

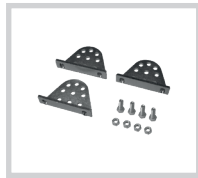
www.beninca.com



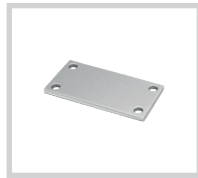
A (mm)	B (mm)	C (mm)
100-270	120-200	45-200

**TOM.CS**

Personalised key lock.

**B.SR**

Multiposition brackets for one operator.

**B.P**

Screw-on plate.

**DU.V96**

12 Vac/dc vertical electric lock, supplied with counterplate. Permits internal/external release.

**DU.V90**

12 Vac/dc horizontal electric lock, supplied with counterplate. Permits internal/external release.

**DU.9990**

Covering plate for DU.V90.

**E.LOCK**

230 Vac vertical electric lock, supplied with counterplate.

**E.LOCKSE**

Extended cylinder for E.LOCK electric lock. It allows unlocking gates up to 55mm-thick from the outside.

**CABLE.24E**

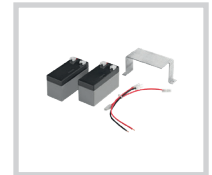
Cable reel with 5 conductors (2 for motor, 3 for encoder) for connecting the encoder device in the 24 Vdc versions. L= 100 m.

**XLB.CB**

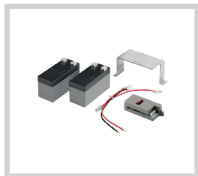
Battery box fitted with universal bracket and cables. IP54.

**DA.LB**

Galvanized column for outdoor installation of LB box.

**BRAINY24.CB-SW**

Accessory equipped with 1.2 Ah batteries and support bracket.

**BRAINY24.CB**

Accessory with CBY.24V battery charger, 1.2 Ah batteries and support bracket.

**AUTOMATISMI BENINCÀ SpA** • Via del Capitello, 45 • 36066 Sandrigo (VI) ITALY • T +39 0444 751030 • sales@beninca.com

TECHNICAL DATA	TOM40MLT	TOM4024LT*
Motor supply	230 Vac (50-60Hz)	24 Vdc
Max absorbed current	1.3 A	5.5 A
Max Thrust	2000 N	1500 N
Opening time	24"	15"
Duty cycle	intensive use	intensive use
Standard stroke	400 mm	400 mm
Max stroke	415 mm	415 mm
Protection level	IP44	IP44
Mechanical stops	NO	NO
Limit switches	NO	NO
Encoder	NO	NO
Operating temperature	-20°C /+50°C	-20°C /+50°C
Leaf max dimension	4 m	4 m
Weight	8.4 kg	8.9 kg
Items no. per pallet	49	49

\* Available in 115 VAC version